

  
**ICOM**

VHF MARINE TRANSCEIVER

**IC-M400BB**



Installation example

## **Black Box Transceiver When Space is at a Premium**



**Space Saving,  
Fully Functional VHF/DSC**



**Controlled by COMMANDMIC™ HM-195B/SW**  
HM-195B/SW may be sold separately, depending on version.



**New Icom Marine Family User Interface**  
Shares same user interface operation with IC-M424.



**Active Noise Cancelling Technology**  
Reduces background noise to up to 90%.



**10W Loud Audio, Public Address & Fog Horn**  
With external speaker.



**Built-in Class D DSC**  
Meets latest ITU-R 493-13.



**Common NMEA Interface**  
For GPS/NAV connection.



**MarineCommander™  
Compatible**



**MA-500TR AIS Transponder  
Compatible**



**AquaQuake™ Draining Function**  
HM-195B/SW



**IPX7 Submersible**  
1m depth water for 30 minutes.

## Space-Saving, Two-Piece Configuration

The IC-M400BB consists of a two-piece, black box configuration. All function control including DSC operation, can be made from the COMMANDMIC™, HM-195B/SW, and the RF unit, IC-M400BB, can be installed in an out-of-sight place.

## New Intuitive User Interface

The new menu system is shared with Icom's latest models. The bottom line of the dot-matrix display shows the software key functions which can be toggled with the left and right buttons.

## Active Noise Cancelling

The built-in bidirectional active noise cancelling reduces background noise to up to 90% and improves both your transmitted voice and incoming call. Hear and be heard more clearly.

## 10W Loud Audio, Public Address and Foghorn

The IC-M400BB has a built-in 10W amplifier that increases the audio output from an additional external speaker. The public address function allows you to make an announcement from the microphone like a loud speaker, and the foghorn can also be emitted from the external speaker.

## Built-in Class D DSC

The built-in DSC watch function monitors Ch. 70 (DSC channel) activity, even while you are receiving another channel. DSC functions include: distress, individual, group, all ships, urgency, safety, position request/report, polling request and DSC test calls.

## Common NMEA Interface

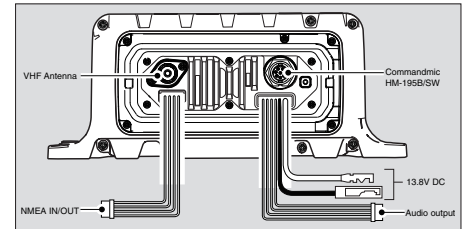
When connected to an external GPS receiver, current position and time are shown on the COMMANDMIC display. When receiving DSC information from another vessel, the radio can transfer it to a navigational device via NMEA 0183 connectivity.

## AIS Target Call with MA-500TR

When connected to the optional MA-500TR Class B AIS transponder, the AIS target call function allows you to set up an individual DSC call from the MA-500TR.

## And More

- MarineCommander™ compatible
- AquaQuake™ water draining function (HM-195B/SW)
- IPX7 submersible protection both for IC-M400BB and HM-195B/SW (1m depth for 30 minutes)
- Dual/tri-watch function for monitoring Ch.16 and/or call channel
- Priority and normal scan



## OPTIONS

**COMMANDMIC™**

**HM-195B (Black)**    **HM-195SW (Super white)**

**Supplied accessories**

- 6.1m (20ft) of cable
- Microphone hanger
- Mounting base for connector

**EXTENSION CABLE for COMMANDMIC, HM-195B/SW**

**OPC-1541**  
6.1m (20ft) extension cable. Up to two cables available.

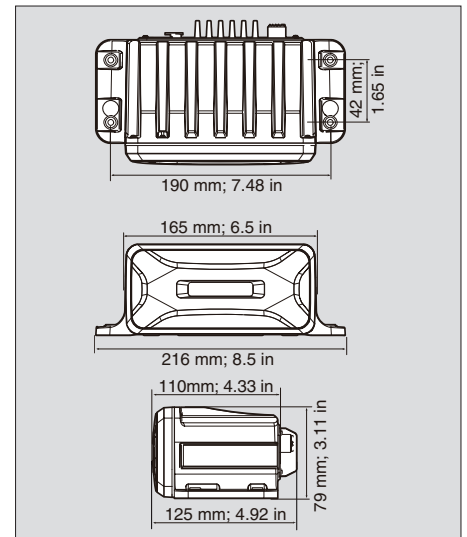
**CLASS B AIS TRANSPONDER**

**MA-500TR**

## SPECIFICATIONS

GENERAL		
Frequency range	Tx Rx Ch. 70	156.025–157.425MHz 156.050–163.275MHz 156.525MHz
Usable channels		USA, INT, CAN and WX channels
Type of emission		16K0G3E (FM), 16K0G2B (DSC)
Power supply requirement		13.8V DC nominal (11.7–15.9V DC)
Current drain		
	Tx 25W output Rx Max. audio	5.5A Max. 3.5A Max.
Operating temperature range		–20°C to +60°C; –4°F to +140°F
Antenna connector		50Ω (SO-239)
Dimensions (Projections not included)		(W×H×D)
	IC-M400BB	216×79×125mm; 8.5×3.11×4.92 in
	HM-195B/SW	67.5×144.5×37mm; 2.66×5.69×1.46 in
Weight (approx.)		
	IC-M400BB	830g; 1.83 lb
	HM-195B/SW	400g; 14.1 oz
NMEA in/out formats		RMC, GGA, GNS, GLL, DSC, DSE
TRANSMITTER		
Output power		25W, 1W (High, low)
Max. frequency deviation		±5.0kHz
Frequency tolerance		±10ppm
Spurious emissions		Less than –70dBc (at 25W)

RECEIVER		
Sensitivity	Main Ch. 70	0.22μV typical (at 12dB SINAD) –5dBμ emf typ. (1% BER)
Squelch sensitivity	Main	Less than 0.32μV
Adjacent channel selectivity	Main Ch. 70	More than 70dB More than 73dBμ emf (1% BER)
Spurious response	Main Ch. 70	More than 70dB More than 73dBμ emf (1% BER)
Intermodulation	Main Ch. 70	More than 70dB More than 68dBμ emf (1% BER)
Hum and noise		More than 40dB
Audio output power		More than 2W (HM-195B/SW) More than 10W (RX Speaker)
<b>Measurements made in accordance with TIA/EIA 603 and IEC 62238 (Ch. 70 receiver specifications).</b>		
<b>Applicable IP Rating</b>		
<b>Ingress Protection Standard (IC-M400BB and HM-195B/SW)</b>		
Water		IPX7 (Waterproof protection)
<b>Supplied accessories:</b>		
• COMMANDMIC, HM-195B/SW*    • DC power cable		
* COMMANDMIC, HM-195B/SW may be sold separately, depending on version.		



Icom, Icom Inc. and the Icom logo are registered trademarks of Icom Incorporated (Japan) in the United States, the United Kingdom, Germany, France, Spain, Russia, Japan and/or other countries. COMMANDMIC, MarineCommander and AQUAQUAKE are trademarks of Icom Inc. (Japan). All other trademarks are the properties of their respective holders.

## Icom Inc.

1-132, Kami-minami, Hirano-ku, Osaka 547-0003, Japan Phone: +81 (06) 6793 5302 Fax: +81 (06) 6793 0013

[www.icom.co.jp/world](http://www.icom.co.jp/world)

## Count on us!

### Icom America Inc.

2380 116th Avenue NE,  
Bellevue, WA 98004, U.S.A.  
Phone : +1 (425) 454-8155  
Fax : +1 (425) 454-1509  
E-mail : sales@icomamerica.com  
URL : <http://www.icomamerica.com>

### Icom Canada

Glenwood Centre #150-6165 Highway 17,  
Delta, B.C., V4K 5B8, Canada  
Phone : +1 (604) 952-4266  
Fax : +1 (604) 952-0090  
E-mail : info@icomcanada.com  
URL : <http://www.icomcanada.com>

### Icom Brazil

Rua Pernambuco, 353 - Sala 901  
Belo Horizonte, M.G.,  
30130-150, Brazil  
Phone : +55 (31) 3582 8847  
Fax : +55 (31) 3582 8987  
E-mail : sales@icombrasil.com

### Icom (Europe) GmbH

Communication Equipment  
Auf der Krautweide 24  
65812 Bad Soden am Taunus, Germany  
Phone : +49 (6196) 76685-0  
Fax : +49 (6196) 76685-50  
E-mail : info@icomeurope.com  
URL : <http://www.icomeurope.com>

### Icom Spain S.L.

Ctra. Rubi. No. 88 "Edificio Can Castanyer"  
Bajos A 08174, Sant Cugat del Valles,  
Barcelona, Spain  
Phone : +34 (93) 590 26 70  
Fax : +34 (93) 589 04 46  
E-mail : icom@icomspain.com  
URL : <http://www.icomspain.com>

### Icom Polska

81-850 Sopot, ul. 3 Maja 54, Poland  
Phone : +48 (58) 550 7135  
Fax : +48 (58) 551 0484  
E-mail : icompolska@icompolska.com.pl  
URL : <http://www.icompolska.com.pl>

### Icom (UK) Ltd.

Blacksole House, Altira Park,  
Herne Bay, Kent, CT6 6GZ, U.K.  
Phone : +44 (0) 1227 741741  
Fax : +44 (0) 1227 741742  
E-mail : info@icomuk.co.uk  
URL : <http://www.icomuk.co.uk>

### Icom France s.a.s.

Zac de la Plaine,  
1 Rue Brindejonc des Moulinais, BP 45804,  
31505 Toulouse Cedex 5, France  
Phone : +33 (5) 61 36 03 03  
Fax : +33 (5) 61 36 03 00  
E-mail : icom@icom-france.com  
URL : <http://www.icom-france.com>

### Icom (Australia) Pty. Ltd.

Unit 1 / 103 Garden Road,  
Clayton, VIC 3168 Australia  
Phone : +61 (03) 9549 7500  
Fax : +61 (03) 9549 7505  
E-mail : sales@icom.net.au  
URL : <http://www.icom.net.au>

### Icom New Zealand

146A Harris Road, East Tamaki,  
Auckland, New Zealand  
Phone : +64 (09) 274 4062  
Fax : +64 (09) 274 4708  
E-mail : inquiries@icom.co.nz  
URL : <http://www.icom.co.nz>

### Asia Icom Inc.

6F No. 68, Sec. 1 Cheng-Teh Road,  
Taipei, Taiwan, R.O.C.  
Phone : +886 (02) 2559 1899  
Fax : +886 (02) 2559 1874  
E-mail : sales@asia-icom.com  
URL : <http://www.asia-icom.com>

Your local distributor/dealer: