

# MR F45-D



# Cobra MARINE®

## CLASS-D FIXED MOUNT VHF RADIO

The latest in Class-D Digital Selective Calling (DSC) Technology.

### **Submersible**

Designed to JIS7 standards.

### **Noise-canceling microphone**

Blocks background noise for clearer conversations.

### **All NOAA weather channels**

Instant access to national All Hazards and weather information, 24 hours a day.

### **25 Watt VHF**

Full power VHF radio for maximum range.



[www.cobra.com](http://www.cobra.com)



# MR F45-D

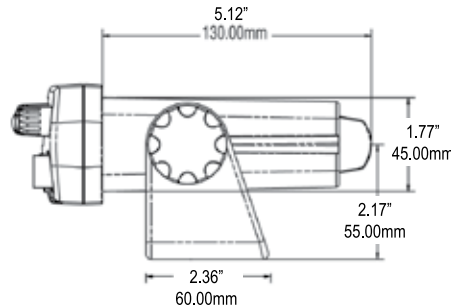
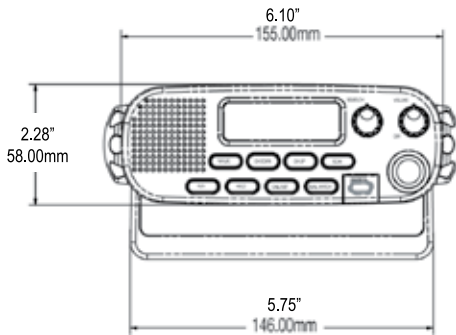
## Features

## Benefits

<b>Class-D DSC (Digital Selective Calling)</b>	Compliant with the latest FCC specifications for Class-D VHF Radios. Digital Selective Calling allows you to send a distress signal at the touch of a button or exchange position information with other boats or stations. DSC features on this Class-D radio include; A Dedicated Channel 70 (DSC Channel) Receiver, GPS Position Display Capability, Illuminated Distress Button, Easy MMSI Entry, Position Send and Request, Position Input Reminder, Coast Guard DSC Check Capability, etc.
<b>1 or 25 Watts</b>	Dual output power for short and long communication.
<b>U.S.A., Canada &amp; International Channels</b>	Allows operation on any of the three (3) different channel maps established for these areas.
<b>10 NOAA Weather Channels</b>	Instant access to national all hazards and weather information, 24 hours a day.
<b>Weather Alert</b>	Alerts with an audible tone and visual alarm if threatening weather is nearby.
<b>Instant Channel 16/9</b>	Instant access to channel 16 and channel 9 for emergency situations.
<b>Dual Watch</b>	Monitors two (2) channels at once — Channel 16 and one (1) user selected channel.
<b>Scan</b>	Scan all channels to find conversations in progress.
<b>Signal Strength Meter</b>	Shows the strength of incoming signal.
<b>Illuminated Function Keys</b>	Allows high visibility of function keys.
<b>Illuminated LCD Display: Large</b>	Allows high visibility of display.
<b>Noise Canceling Speaker/Mic with Controls</b>	Blocks background noise. Controls allow instant access to channels 16 & 9 and changing of channels & setting features.
<b>External Speaker Jack</b>	Allows connection of an external speaker (not included).
<b>Submersible</b>	Meets JIS7 standards; Submersible for 30 minutes in one meter deep water.
<b>3 Year Warranty (on radio)</b>	For products sold in the U.S.A.

## Included Accessories

<b>Bracket Mount Kit</b>	Easy console or overhead mounting.
<b>GPS Interface Cable</b>	Allows connection of a GPS receiver.



## Unit Specifications General

Number of Channels	All: U.S.A., Canadian, International 10 NOAA Weather Channels
Channel Spacing	25 kHz
Modulation	5 kHz Max.
Input Voltage	13.8 VDC
Current Drain:	
Stand-by	200 mA
Receive	300 mA
Transmit	5 A @ High Power 1 A @ Low Power
Temperature Range	-20°C to 60°C
Unit Dimensions	6.25" x 2.25" x 7.125" (159 mm x 57 mm x 180 mm)
Unit Weight (Lbs)	2 lbs., 6.8 oz. (1100 g)

## Receiver

Frequency Range	156.050 to 163.275 MHz
Receiver Type	Double Conversion Super-Heterodyne
Sensitivity:	
20 dB Quieting	0.35 uV
12 dB Sinad	0.30 uV
AF Output	4 Watts @ 8 Ohms

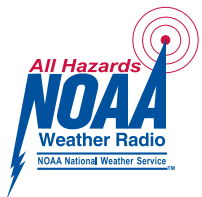
## Transmitter

Frequency Range	156.025 to 157.425 MHz
RF Output Power	1 or 25 Watts
Spurious Emissions	-60 dB @ High Power -55 dB @ Low Power
Microphone Type	Electret
Microphone Impedance	2000 Ohms
Frequency Stability	+/-10 ppm
FM Hum & Noise	40 dB

## Packaging Specifications

Individual Clam/Box Dimensions	12.21" x 9.25" x 2.95" (310 mm x 236 mm x 75 mm)
Individual Clam/Box Weight	2 lbs., 13.3 oz. (1284 g)
Master Pack Qty.	2
Master Pack Dimensions	6.38" x 13.31" x 10.04" (162 mm x 338 mm x 255 mm)
Master Pack Weight	6 lbs., 3.8 oz. (5662 kg)
SKU #	MR F45-D
UPC #	0 28377 20148 6
Master Pack Barcode	5 0028377 20148 1

Specifications subject to change without notice.



Cobra®, CobraMarine®, Nothing Comes Close to a Cobra®, and the snake design are registered trademarks of Cobra Electronics Corporation, USA. Cobra Electronics Corporation™ is a trademark of Cobra Electronics Corporation, USA.

©2010 Cobra Electronics Corporation, 6500 West Cortland Street, Chicago, IL 60707, USA