

MR F55B-D



Cobra MARINE®

CLASS-D FIXED MOUNT VHF RADIO

The latest in Class-D Digital Selective Calling (DSC) Technology.

Submersible

Designed to JIS7 standards.

Noise-canceling microphone

Blocks background noise for clearer conversations.

All NOAA weather channels

Instant access to national All Hazards and weather information, 24 hours a day.

Flush mount kit included

Everything you need for quick and easy install.



www.cobra.com



MR F55B-D

Features

Benefits

DSC (Digital Selective Calling)	Compliant with the latest FCC specifications for Class-D VHF Radios. Digital Selective Calling allows you to send a distress signal at the touch of a button or exchange position information with other boats or stations. DSC features on this Class-D radio include; A Dedicated Channel 70 (DSC Channel) Receiver, GPS Position Display Capability, Illuminated Distress Button, Easy MMSI Entry, Position Send and Request, Position Input Reminder, Coast Guard DSC Check Capability, etc.
1 or 25 Watts	Dual output power for short and long communication.
U.S.A., Canada & International Channels	Allows operation on any of the three (3) different channel maps established for these areas.
10 NOAA Weather Channels	Instant access to national all hazards and weather information, 24 hours a day.
Weather Alert	Alerts with an audible tone and visual alarm if threatening weather is nearby.
Instant Channel 16/9	Instant access to channel 16 and channel 9 for emergency situations.
GPS Capability	When connected to a Cobra or most other GPS receivers, you can send your position to other boats in an emergency, or exchange position information with other boats or stations.
Dual Watch	Monitors two (2) channels at once — Channel 16 and one (1) user selected channel.
Scan	Scan all channels to find conversations in progress.
Signal Strength Meter	Shows the strength of incoming signal.
Illuminated Function Keys	Allows high visibility of function keys.
Illuminated LCD Display: Large	Allows high visibility of display.
Noise Canceling Speaker/Mic with Controls	Blocks background noise. Controls allow instant access to channels 16 & 9 and changing of channels & setting features.
External Speaker Jack	Allows connection of an external speaker (not included).
Submersible	Meets JIS7 standards; Submersible for 30 minutes in one meter deep water.
3 Year Warranty (on radio)	For products sold in the U.S.A.

Included Accessories

Flush & Surface Mount Kit	Easy installation of radio in or on almost any flat surface.
GPS Interface Cable	Allows connection of a GPS receiver.

Unit Specifications General

Number of Channels	All: U.S.A., Canadian, International 10 NOAA Weather Channels
Channel Spacing	25 kHz
Modulation	5 kHz Max.
Input Voltage	13.8 VDC
Current Drain:	
Stand-by	200 mA
Receive	300 mA
Transmit	5 A @ High Power 1 A @ Low Power
Temperature Range	-20°C to 60°C
Unit Dimensions	6.25" x 2.25" x 7.125" (159 mm x 57 mm x 180 mm)
Unit Weight (Lbs)	2 lbs., 6.8 oz. (1100 g)

Receiver

Frequency Range	156.050 to 163.275 MHz
Receiver Type	Double Conversion Super-Heterodyne
Sensitivity:	
20 dB Quieting	0.35 µV
12 dB Sinad	0.30 µV
AF Output	4 Watts @ 8 Ohms

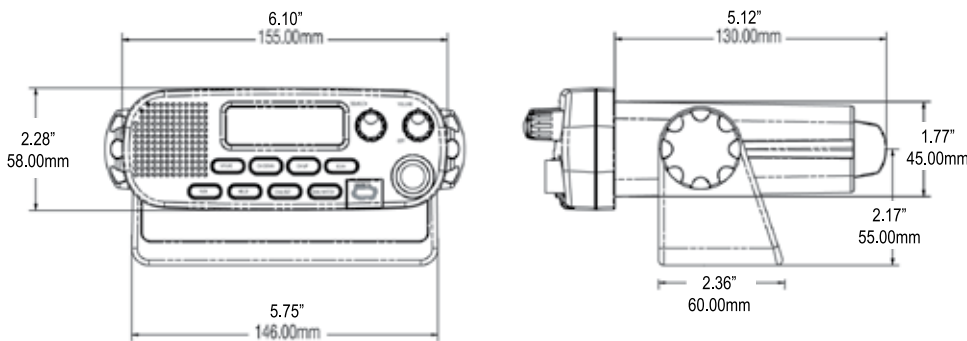
Transmitter

Frequency Range	156.025 to 157.425 MHz
RF Output Power	1 or 25 Watts
Spurious Emissions	-60 dB @ High Power -55 dB @ Low Power
Microphone Type	Electret
Microphone Impedance	2000 Ohms
Frequency Stability	+/-10 ppm
FM Hum & Noise	40 dB

Packaging Specifications

Individual Clam/Box Dimensions	12.21" x 9.25" x 2.95" (310 mm x 236 mm x 75 mm)
Individual Clam/Box Weight	2 lbs., 13.3 oz. (1284 g)
Master Pack Qty.	4
Master Pack Dimensions	13.27" x 10.04" x 13.31" (337 mm x 255 mm x 338 mm)
Master Pack Weight	12 lbs., 7.5 oz. (5662 kg)
SKU # (Black)	MR F55B-D
UPC #	0 28377 20150 9
Master Pack Barcode	1 0028377 20150 6
SKU # (White)	MR F55-D
UPC #	0 28377 20149 3
Master Pack Barcode	1 0028377 20149 0

Specifications subject to change without notice.



Cobra®, CobraMarine®, Nothing Comes Close to a Cobra®, and the snake design are registered trademarks of Cobra Electronics Corporation, USA. Cobra Electronics Corporation™ is a trademark of Cobra Electronics Corporation, USA.

©2010 Cobra Electronics Corporation, 6500 West Cortland Street, Chicago, IL 60707, USA